

# NATURAL LIGHT ENERGY SYSTEMS, dba KENNEDY SKYLIGHTS

## MODEL "ICMG" CURB MOUNTED GLASS SKYLIGHT - LMI

### INSTALLATION ANCHORAGE DETAILS

**GENERAL NOTES:**

- THE PRODUCT ANCHORAGE SHOWN HEREIN IS DESIGNED TO COMPLY WITH THE REQUIREMENTS OF THE CURRENT EDITION OF THE FLORIDA BUILDING CODE - BUILDING (FBC) AND RESIDENTIAL (FRC) VOLUMES INCLUDING THE HIGH VELOCITY HURRICANE ZONE (HVHZ) FOR LARGE MISSILE IMPACT (INCLUDES WIND ZONE 4, MISSILE LEVEL D) AT THE DESIGN PRESSURE(S) STATED HEREIN.
- THE PRODUCT DETAILS CONTAINED HEREIN ARE BASED UPON SIGNED AND SEALED TEST REPORT NO. NCTL-210-3041-1, 2 AND ASSOCIATED LABORATORY STAMPED DRAWINGS.
- THE SKYLIGHT HAS BEEN TESTED IN ACCORDANCE WITH THE HIGH VELOCITY HURRICANE ZONE (HVHZ) REQUIRMENTS OF TAS 201, TAS 202 AND TAS 203 AS REQUIRED BY THE CURRENT EDITION OF THE FLORIDA BUILDING CODE - BUILDING (FBC) AND RESIDENTIAL (FRC) VOLUMES AND DOCUMENTED IN SIGNED AND SEALED TEST REPORT NO. NCTL-210-3041-1, 2 AND ASSOCIATED LABORATORY STAMPED DRAWINGS.
- GLASS MEETS THE REQUIREMENTS OF ASTM E1300-12AE1. SEE SHEET 3 FOR GLAZING DETAILS.
- ADEQUACY OF THE EXISTING STRUCTURAL FRAMING AS A MAIN WIND FORCE RESISTING SYSTEM CAPABLE OF WITHSTANDING AND TRANSFERRING APPLIED PRODUCT LOADS TO THE STRUCTURE IS THE RESPONSIBILITY OF THE ENGINEER OR ARCHITECT OF RECORD.
- SITE CONDITIONS THAT DEVIATE FROM THE DETAILS OF THIS DRAWING REQUIRE THE FOLLOWING:
  - IN NON-HVHZ, FURTHER ENGINEERING ANALYSIS BY A LICENSED PROFESSIONAL ENGINEER OR REGISTERED ARCHITECT.
  - IN HVHZ, FURTHER ENGINEERING ANALYSIS BY A LICENSED PROFESSIONAL ENGINEER OR REGISTERED ARCHITECT AND ONE TIME APPROVAL FROM THE LOCAL AUTHORITY HAVING JURISDICTION IS REQUIRED.
- IN HVHZ AREAS, USE OF AN APPROVED IMPACT PROTECTIVE SYSTEM COMPLYING WITH THE HVHZ REQUIREMENTS OF THE FBC IS NOT REQUIRED FOR THE PRODUCT(S) HEREIN. IN NON-HVHZ AREAS WHERE WINDBORNE DEBRIS PROTECTION REQUIREMENTS EXIST, USE OF AN IMPACT PROTECTIVE SYSTEM COMPLYING WITH THE FBC REQUIREMENTS FOR WINDBORNE DEBRIS REGIONS IS NOT REQUIRED FOR THE PRODUCT(S) HEREIN.
- WHEN APPLICABLE, DISSIMILAR METALS INCLUDING FASTENERS THAT MAY COME INTO CONTACT WITH ALUMINUM SKYLIGHT FRAMING SHALL HAVE BEEN PROTECTED IN A MANNER TO PREVENT GALVANIC CORROSION. FASTENERS SHALL BE MADE OF CORROSION RESISTANT METAL OR HAVE A CORROSION RESISTANT COATING.
- CURB CONSTRUCTION AND MOUNTING DETAILS:
  - A CURB SUPPLIED BY OTHERS CONSTRUCTED AND MOUNTED IN ACCORDANCE WITH THE REQUIREMENTS OF THE CURRENT EDITION OF THE FLORIDA BUILDING CODE - BUILDING (FBC) AND RESIDENTIAL (FRC) VOLUMES FOR THE TYPE OF CONSTRUCTION CLASSIFICATION WHERE THE SKYLIGHT IS TO BE INSTALLED IS ALLOWED.
  - INTEGRATION WITH THE ROOF ASSEMBLY SHALL BE IN ACCORDANCE WITH CHAPTER 15 OF THE CURRENT EDITION OF THE FBC AND CHAPTER 9 OF THE CURRENT EDITION OF THE FRC.
  - ADDITIONAL INSTALLATION DETAILING AND ENGINEERED INSTALLATION EVALUATION BY A LICENSED DESIGN PROFESSIONAL WILL BE REQUIRED FOR SUBMITTAL IN ADDITION TO THIS PRODUCT EVALUATION DOCUMENT.

DESIGN PRESSURE RATING (PSF)	IMPACT RATING
+60.0/-60.0	LARGE MISSILE

TABLE OF CONTENT	
SHEET	DESCRIPTION
1	GENERAL AND INSTALLATION NOTES
2	ELEVATION AND ANCHORING LAYOUT
3	INSTALLATIOIN CROSS SECTION AND GLAZING DETAIL
4	BILL OF MATERIALS AND COMPONENTS

**INSTALLATION NOTES:**

- INSTALL GLASS CAP INTO CURB USING INSTALLATION ANCHORS AS LISTED IN INSTALLATION ANCHOR SCHEDULE THIS SHEET. SPACE ANCHORS 4" MAX. FROM ALL ENDS AND 14" MAX. O.C. THEREAFTER, ALL SIDES.
- APPLY ALL SEALANTS ACCORDING TO MANUFACTURER'S INSTRUCTIONS.
- PRODUCT ANCHORS SHALL BE AS DESIGNATED AND LOCATED AS SHOWN ON THE INSTALLATION DRAWINGS. ANCHOR EMBEDMENT AND EDGE DISTANCE EXCLUDE WALL FINISHES INCLUDING, BUT NOT LIMITED TO SHEATHING, UNDERLAYMENT AND SHINGLES.
- INSTALLATION ANCHORS AND ASSOCIATED HARDWARE MUST BE MADE OF CORROSION RESISTANT MATERIAL OR HAVE A CORROSION RESISTANT COATING. DISSIMILAR METALS OR MATERIALS IN CONTACT WITH PRESSURE TREATED WOOD MUST BE PROTECTED TO PREVENT REACTION.
- INSTALLATION ANCHORS SHALL BE INSTALLED IN ACCORDANCE WITH ANCHOR MANUFACTURER'S INSTALLATION INSTRUCTIONS. ANCHORS SHALL NOT BE USED IN SUBSTRATES WITH STRENGTHS LESS THAN THE MINIMUM STRENGTH SPECIFIED IN THE INSTALLATION ANCHOR SCHEDULE ON THIS SHEET.
- FOR SKYLIGHT SIZES LESS THAN THAT SHOWN IN THE ELEVATIONS, ANCHOR QUANTITIES MAY BE REDUCED BY ONE (1) WHEN SPACING BETWEEN ANCHORS IS 50% OR LESS THAN THE MAXIMUM SPACING REQUIRED.

INSTALLATION ANCHOR SCHEDULE							
CURB ASSEMBLY SUBSTRATE TYPE	HEAD TYPE	SIZE	MANUFACTURER AND/OR SPECIFICATION	MIN. EMBEDMENT (IN)	MIN. EDGE DISTANCE (IN)	MIN. SPACING (IN)	CAPACITIES BASED ON
CONCRETE	HEX HEAD	3/16"	ITW TAPCON (2)	1 1/2	1 1/8	2 1/2	MIN. 2500 PSI CONCRETE BUT NOT LESS THAN THAT REQUIRED BY BUILDING CODE
			Elco Ultracon	1 3/8	1	3 3/8	MIN. 2500 PSI CONCRETE BUT NOT LESS THAN THAT REQUIRED BY BUILDING CODE
MASONRY (BLOCK/CMU)	HEX HEAD	3/16"	ITW TAPCON (2)	1	2	2 1/2	STRENGTH CONFORMANCE TO ASTM C-90, MEDIUM WEIGHT DENSITY > 117 PCF
			Elco Ultracon	1 1/4	1	3 3/8	STRENGTH CONFORMANCE TO ASTM C-90, MEDIUM WEIGHT
SOLID-SAWN LUMBER (1)	HEX, PAN OR TRUSS HEAD	NO. 8	ASME B18.6.4 (SELF-DRILLING/SELF-TAPPING SCREW)	1	5/8	5/8	WOOD WITH A MINIMUM SPECIFIC GRAVITY OF 0.55
ALUMINUM OR STEEL, 1/8" MIN. WALL THICKNESS	HEX, PAN OR TRUSS HEAD	NO. 8	ASME B18.6.4 (SELF-DRILLING/SELF-TAPPING SCREW)	PROTRUDING MIN. 3 THREADS PAST INTERIOR OF SUBSTRATE	7/16	7/16	ULTIMATE STRENGTH (Fu) OF 22,000 PSI

- NOTES:**
- FOR WOOD AND TAPPING SCREWS IF SPLITTING IS A CONCERN, DRILL 0.102" (DRILL SIZE 38) PILOT HOLE FOR WOOD FRAME INSTALLATION.
  - WHEN ITW TAPCONS ARE USED FOR CONCRETE/MASONRY INSTALLATION, THEY SHALL BE THE ADVANCED THREADFORM TECHNOLOGY TYPE.


PROJECT NUMBER: 423-0504			RJA	BY
			RJA	DATE
		Update to 8th Edition (2023) FBC	10/16/23	
	C	Update to 6th Edition (2017) FBC	12/6/17	
		Update to 5th Edition (2014) FBC	RJA	
			A	REV
				DESCRIPTION

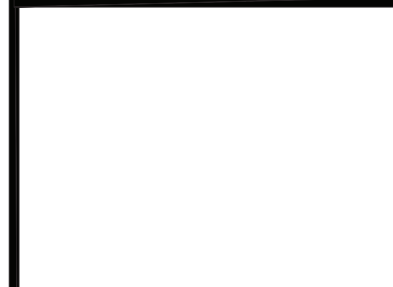
NATURAL LIGHT ENERGY SYSTEMS, dba KENNEDY SKYLIGHTS  
 5294 TOWER WAY  
 SANFORD, FL 32773

TITLE: MODEL "ICMG" CURB MOUNTED GLASS SKYLIGHT  
 LARGE MISSILE IMPACT  
 GENERAL AND INSTALLATION NOTE

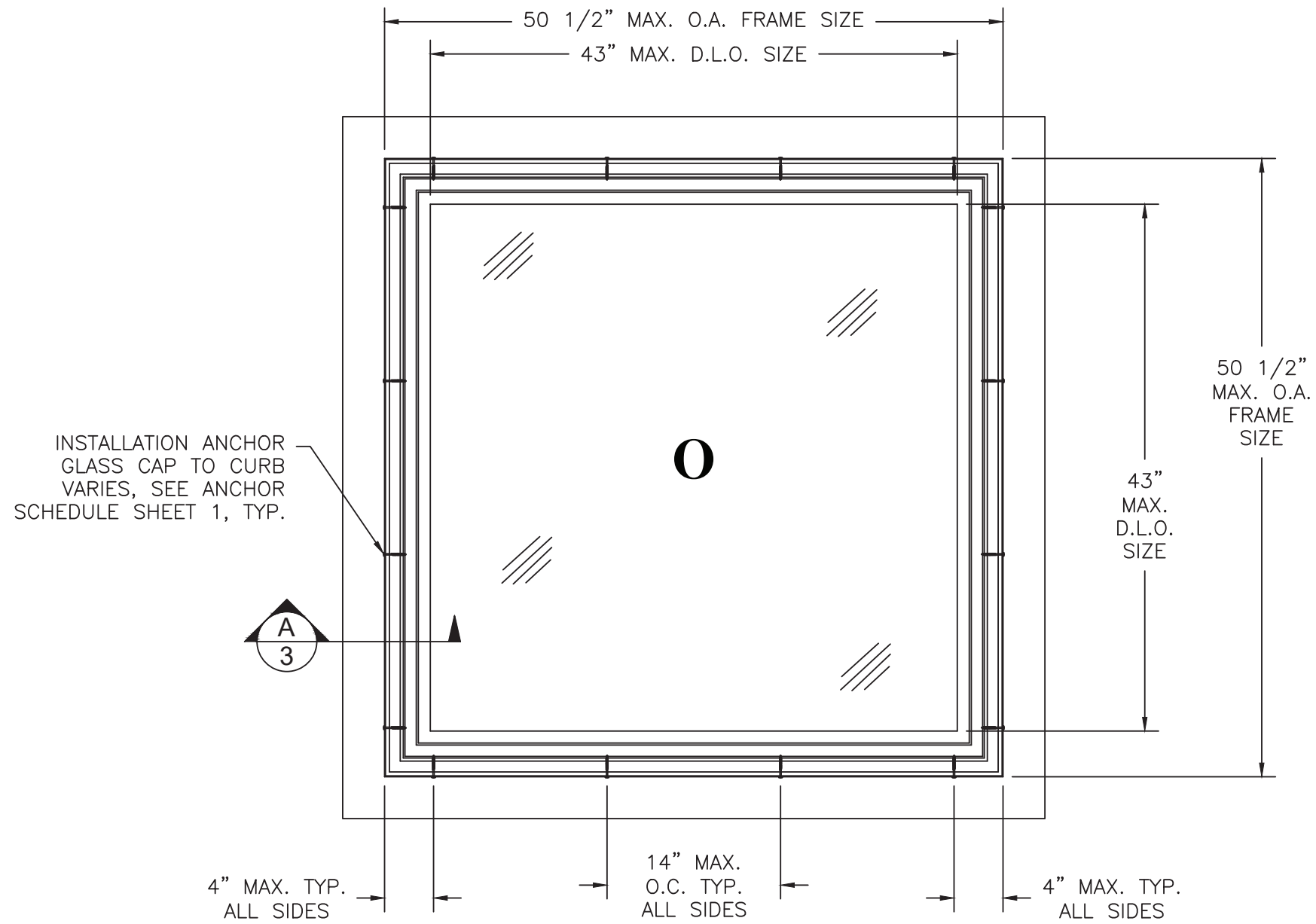
DATE: 05/08/12  
 DRAWING NO: KENN0001  
 SHEET: 1 OF 4

DRAWN BY: TJH  
 SCALE: N.T.S.  
 REV: C

PREPARED BY:   
 PTE PRODUCT DESIGN GROUP, LLC  
 PO BOX 520776  
 LONGWOOD, FLORIDA 32752  
 Phone: 321.690.1789  
 Fax: 321.690.1789  
 Email: info@ptecorp.com  
 FBPE CA. NO. 23535



Robert J. Amoruso, P.E.  
 FL P.E. No. 49752



**MODEL "ICMG" CURB  
MOUNTED SKYLIGHT**  
EXTERIOR VIEW

**NATURAL LIGHT ENERGY SYSTEMS, dba KENNEDY SKYLIGHTS**  
5294 TOWER WAY  
SANFORD, FL 32773

TITLE: MODEL "ICMG" CURB MOUNTED GLASS SKYLIGHT  
LARGE MISSILE IMPACT  
ELEVATION AND ANCHORING LAYOUT

PREPARED BY: PTC PRODUCT DESIGN GROUP, LLC  
PO BOX 520776  
LONGWOOD, FLORIDA 32752  
FBPE CA. NO. 23535

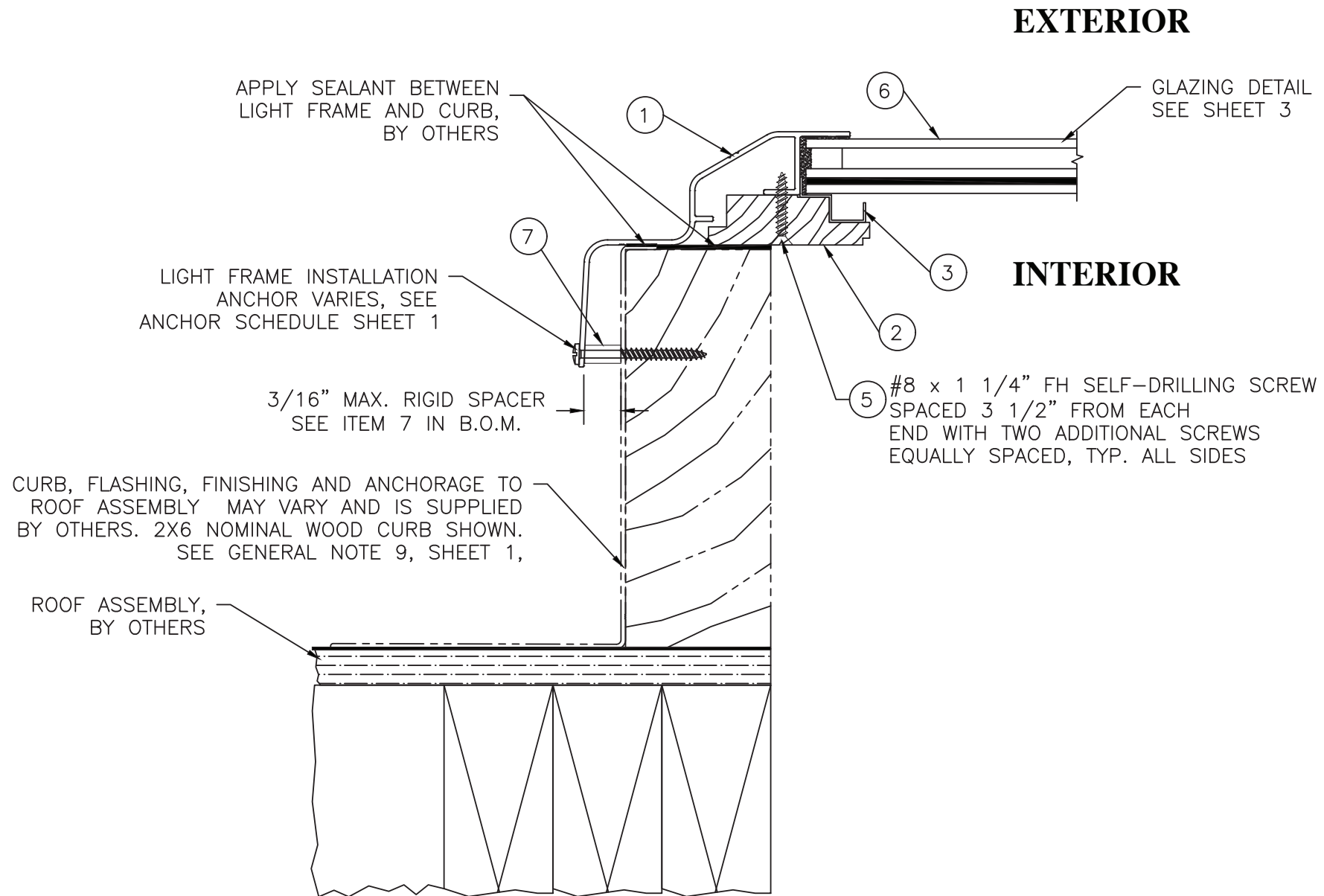
DATE: 05/08/12  
DRAWING NO.: KENN0001  
SHEET: 2 OF 4

DRAWN BY: TJH  
SCALE: N.T.S.  
REV: C

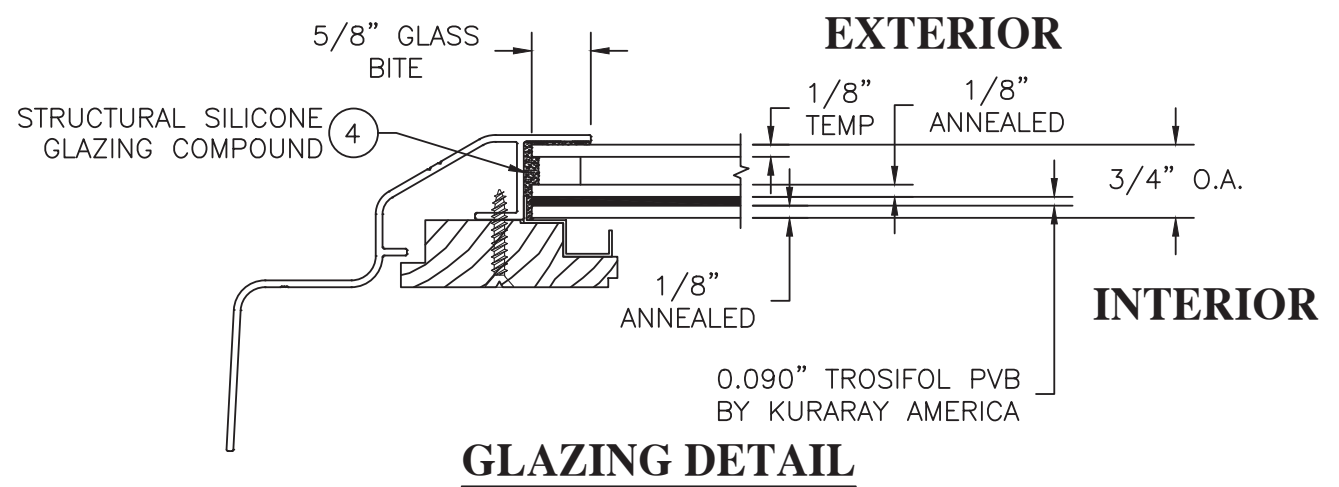
PROJECT NUMBER: 423-0504

REV	DESCRIPTION	DATE	BY
C	Update to 8th Edition (2023) FBC	10/16/23	RJA
B	Update to 6th Edition (2017) FBC	12/6/17	RJA
A	Update to 5th Edition (2014) FBC	7/15/15	RJA

Robert J. Amoruso, P.E.  
FL P.E. No. 49752



**A**  
**3** INSTALLATION CROSS SECTION



**GLAZING DETAIL**

PROJECT NUMBER: 423-0504		Update to 8th Edition (2023) FBC	10/16/23	RJA	
C		Update to 6th Edition (2017) FBC	12/6/17	RJA	
B		Update to 5th Edition (2014) FBC	7/15/15	RJA	
A					
REV	DESCRIPTION	DATE			BY

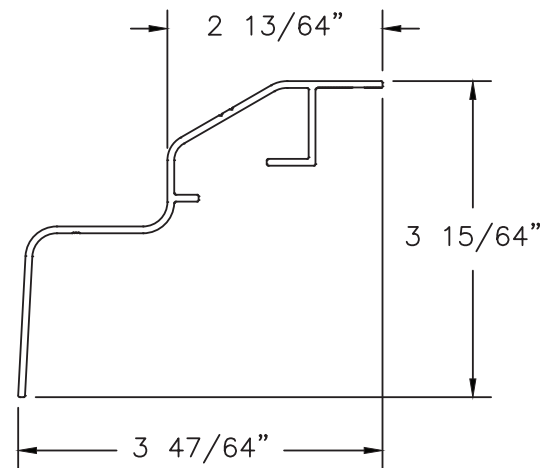
  

NATURAL LIGHT ENERGY SYSTEMS, dba KENNEDY SKYLIGHTS		5294 TOWER WAY		SANFORD, FL 32773	
TITLE: MODEL "ICMG" CURB MOUNTED GLASS SKYLIGHT		DATE: 05/08/12	DRAWN BY: TJH	SCALE: N.T.S.	REVISION: C
INSTALLATION CROSS SECTION AND GLAZING DETAIL		DRAWING NO: KENN0001	SHEET: 3	OF 4	
PREPARED BY: PTC PRODUCT DESIGN GROUP, LLC		PO BOX 520776		LONGWOOD, FLORIDA 32752	
PHONE: 321.690.1788		FAX: 321.690.1789		EMAIL: info@ptc-corp.com	
FBPE CAL. NO. 23535					

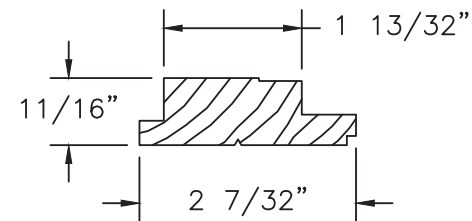
Robert J. Amoruso, P.E.  
FL P.E. No. 49752

# BILL OF MATERIALS

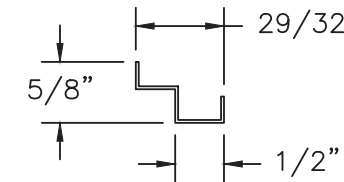
ITEM #	PART #	ITEM DESCRIPTION	MANUFACTURER	MATERIAL
1	FE4701	GLASS CAP	INDALEX ALUM. SOLUTIONS	ALUM. 6063-T6
2	SM KS-4	WOOD LIGHT FRAME	NATURAL LIGHT ENERGY SYSTEMS, dba KENNEDY SKYLIGHTS	WOOD
3	AK-2474	CONDENSATION CHANNEL	CENTRAL PLASTICS, INC.	HIGH TEMP. PVC
4		GLAZING COMPOUND	NOVAFLEX	STRUCTURAL SILICONE
5		#8 x 1 1/4" FH SELF-DRILLING SCREW		
6		LARGE MISSILE IMPACT GLAZING, SEE SHEET 3		
7		RIGID SPACER FOR GLASS CAP INSTALLATION, SEE INSTALLATION NOTE 4, SHEET 1		RIGID



① **GLASS CAP**  
EXTRUDED ALUMINUM 6063-T6  
0.070" THICK



② **WOOD LIGHT FRAME**



③ **CONDENSATION CHANNEL**  
EXTRUDED HIGH TEMP RIGID PVC  
0.030" THICK

PROJECT NUMBER: 423-0504	
Update to 8th Edition (2023) FBC	RJA 10/16/23
Update to 6th Edition (2017) FBC	RJA 12/6/17
Update to 5th Edition (2014) FBC	RJA 7/15/15
REV	DESCRIPTION
C	
B	
A	
REV	DATE
	BY

NATURAL LIGHT ENERGY SYSTEMS, dba KENNEDY SKYLIGHTS  
5294 TOWER WAY  
SANFORD, FL 32773

TITLE: MODEL "ICMG" CURB MOUNTED GLASS SKYLIGHT  
LARGE MISSILE IMPACT  
BILL OF MATERIALS AND COMPONENTS

PREPARED BY: T.J.H.  
SCALE: N.T.S.  
REV: C

DATE: 05/08/12  
DRAWING NO: KENN0001  
SHEET: 4 OF 4

PTC PRODUCT DESIGN GROUP, LLC  
PO BOX 520776  
LONGWOOD, FLORIDA 32752  
Phone: 321.690.1789  
Fax: 321.690.1789  
Email: info@ptc-corp.com  
FBPE CA. NO. 23535

Robert J. Amoruso, P.E.  
FL P.E. No. 49752